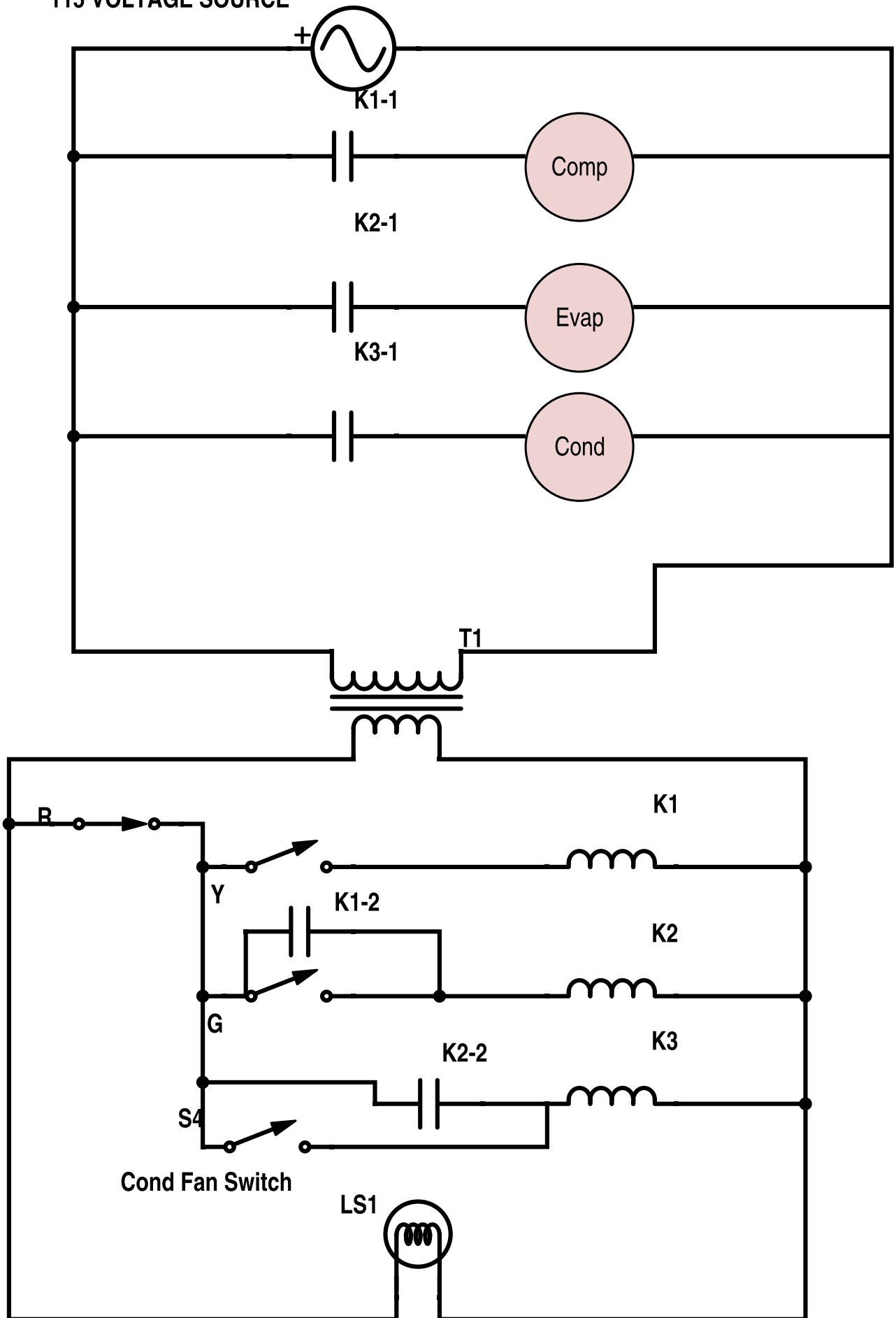
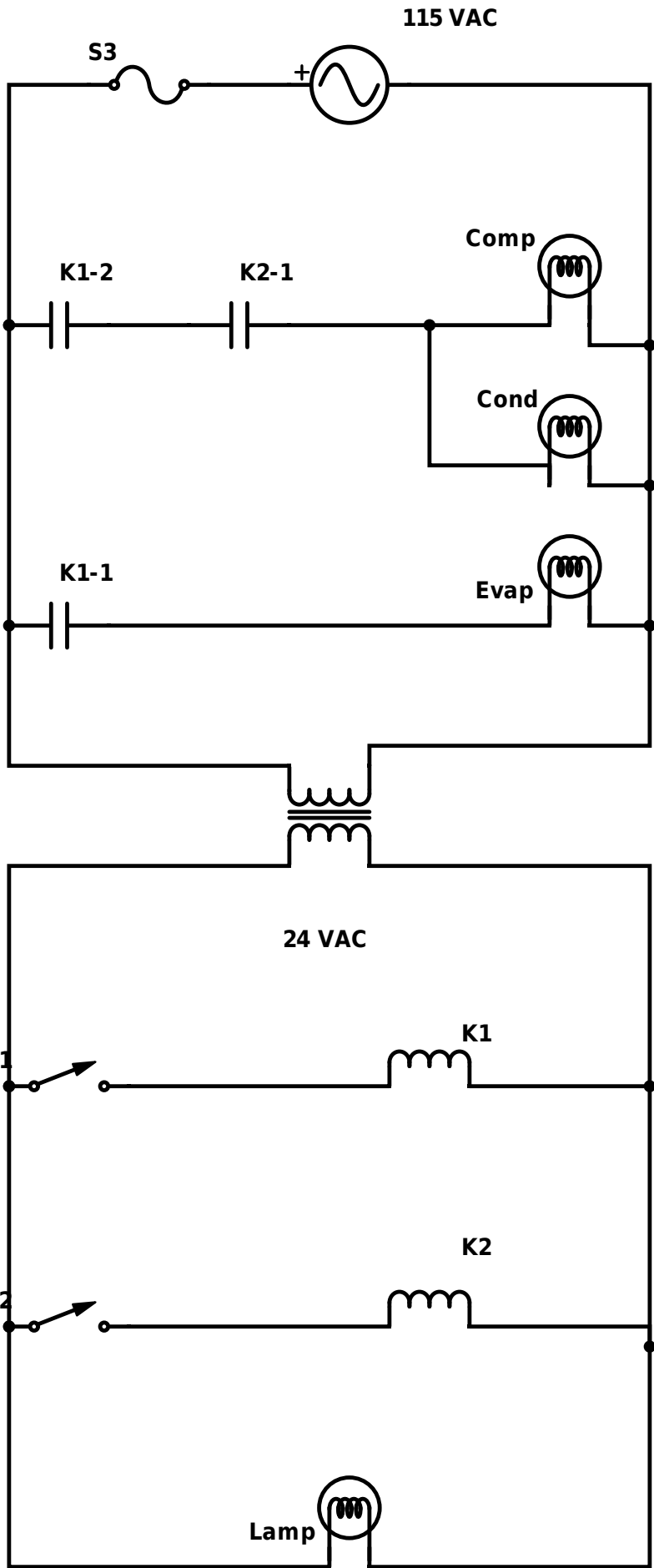
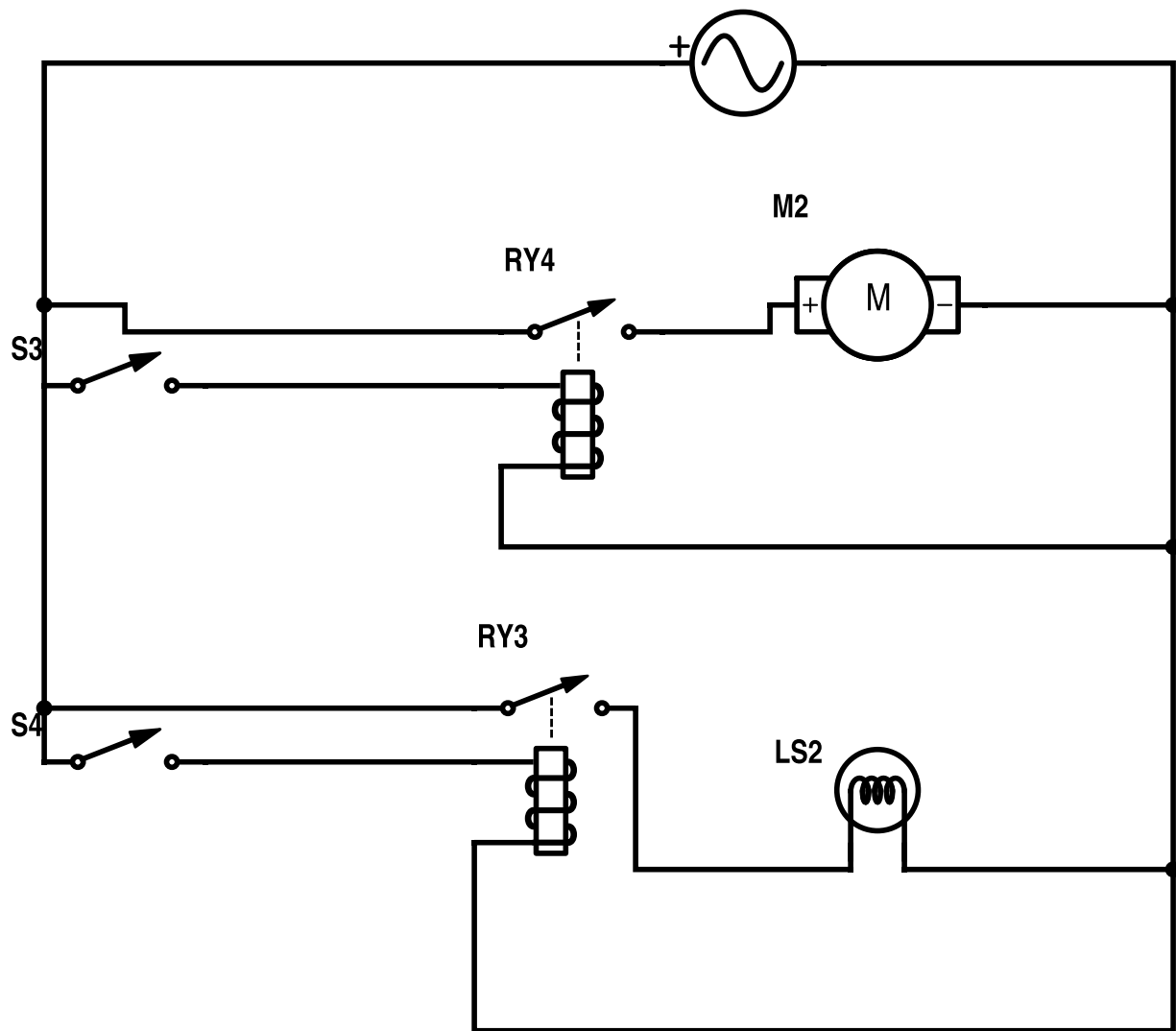
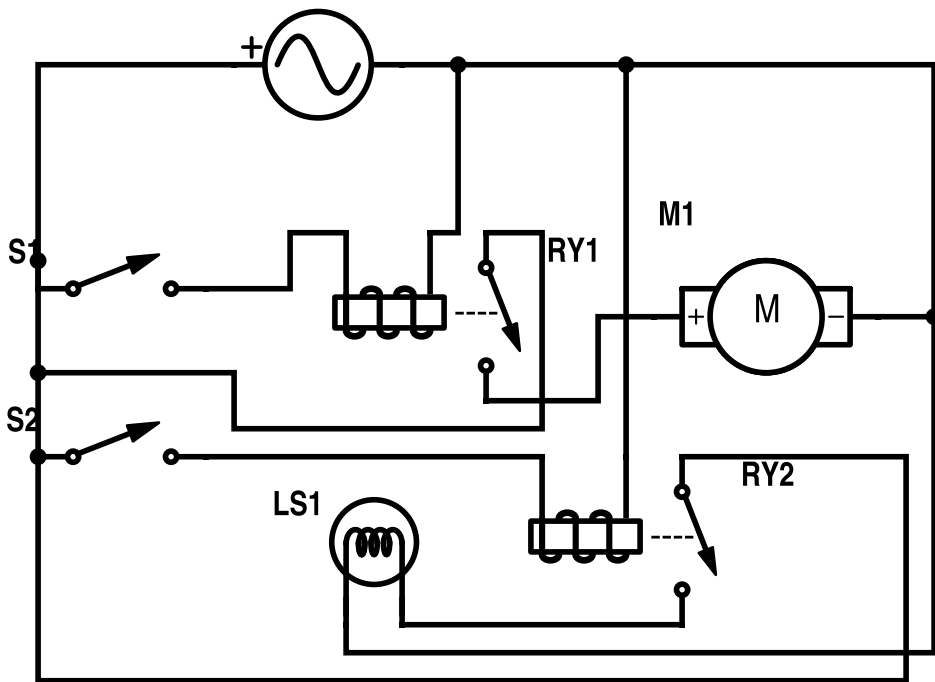
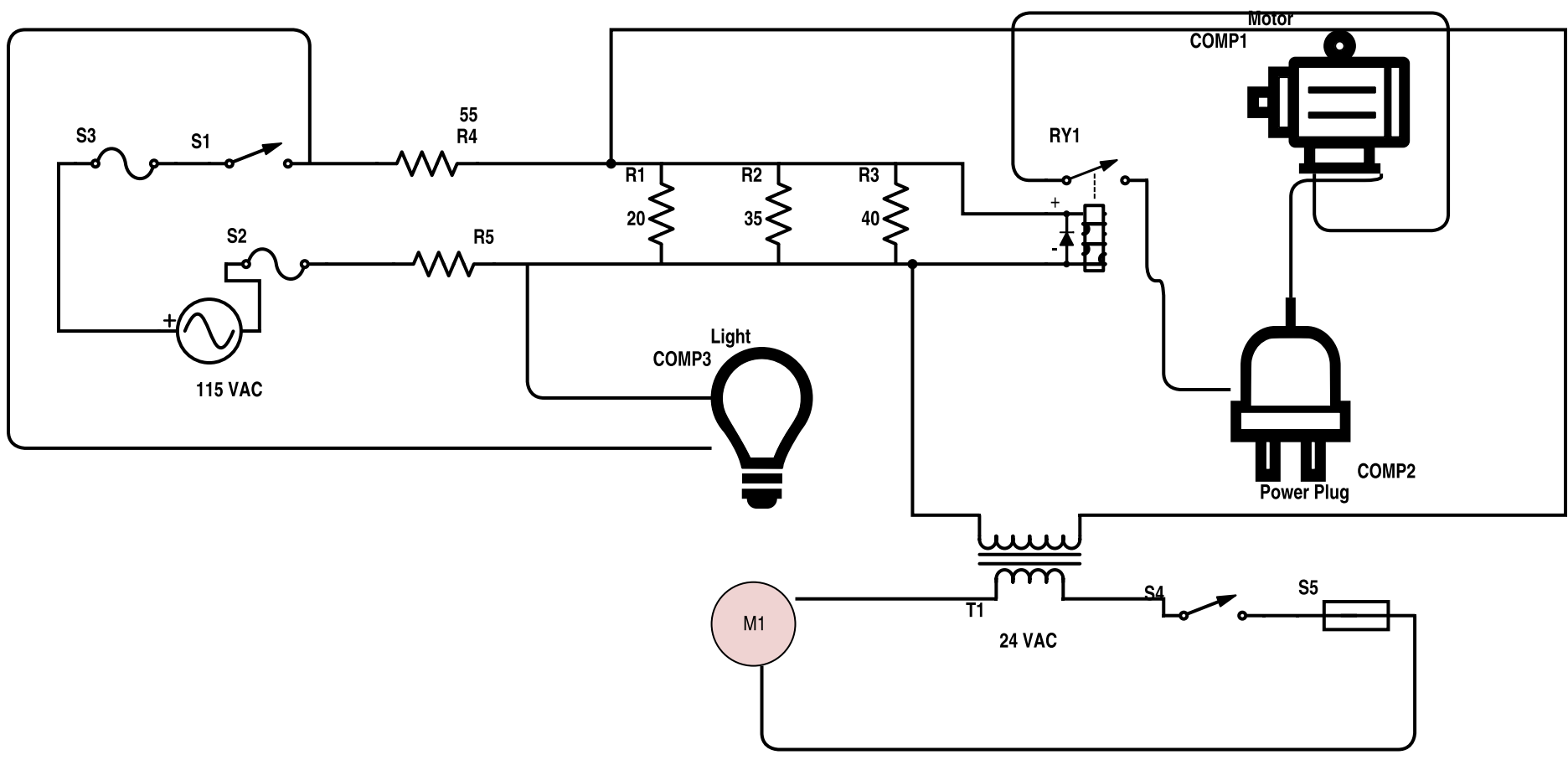


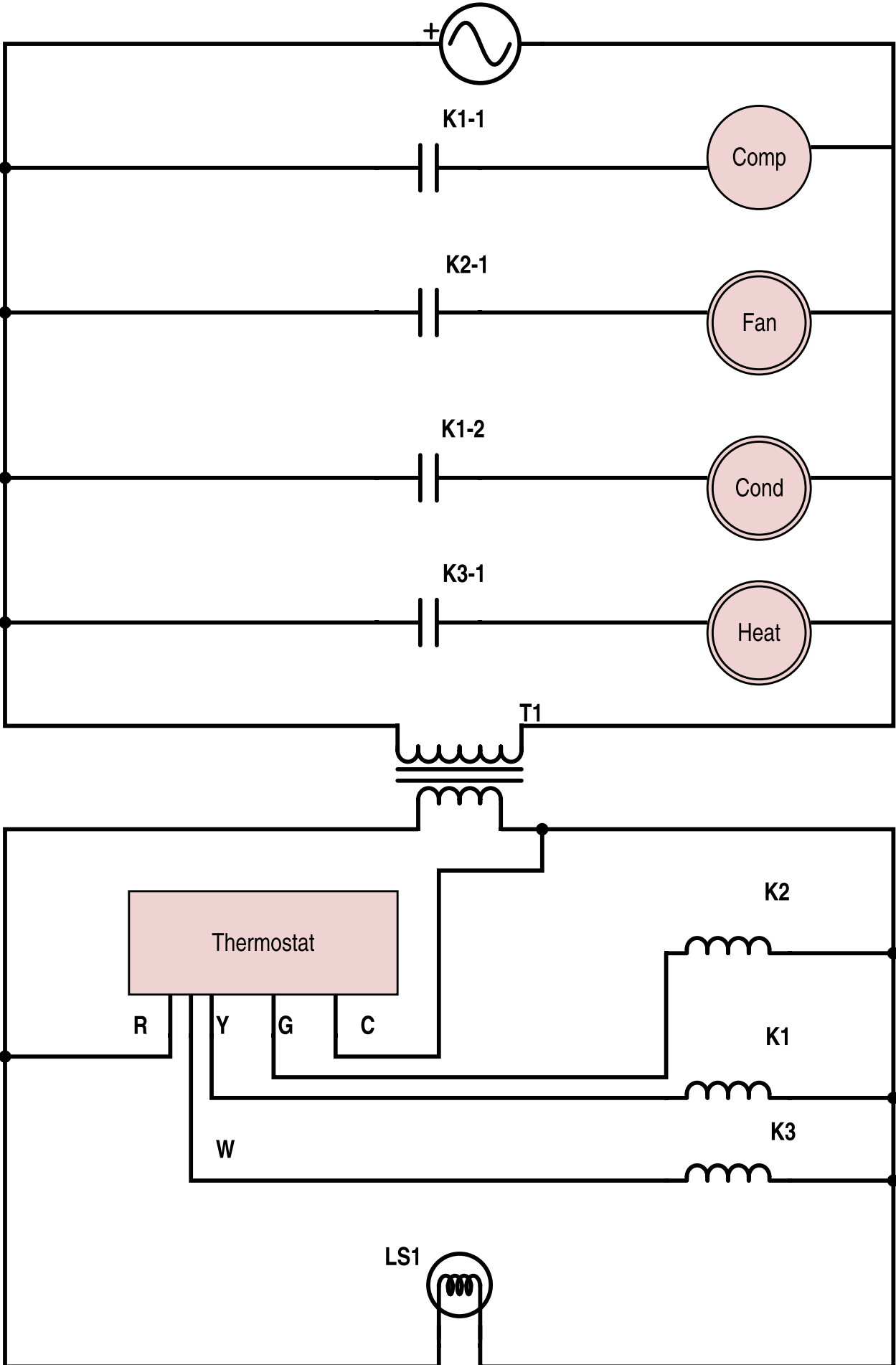
115 VOLTAGE SOURCE

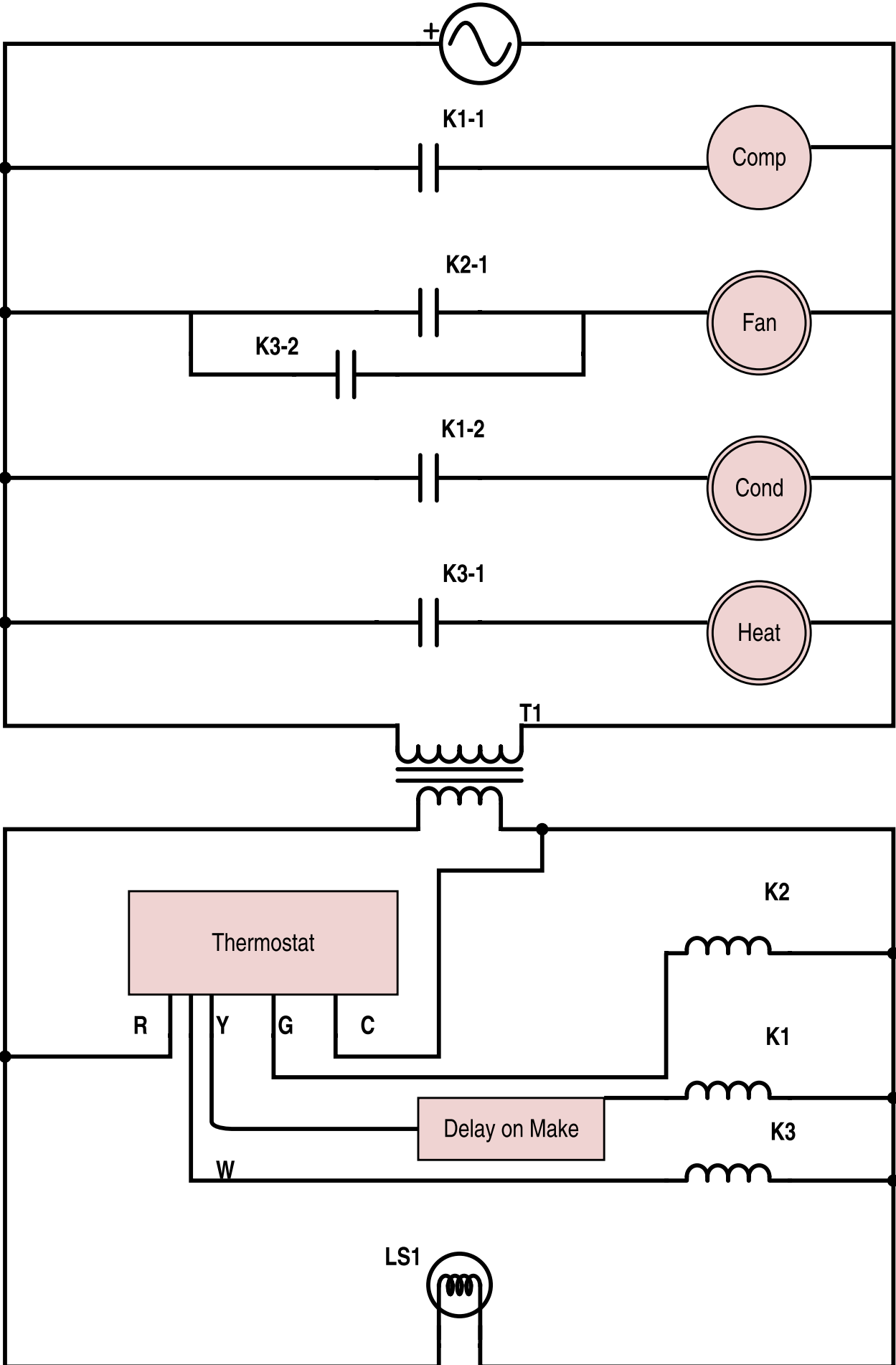


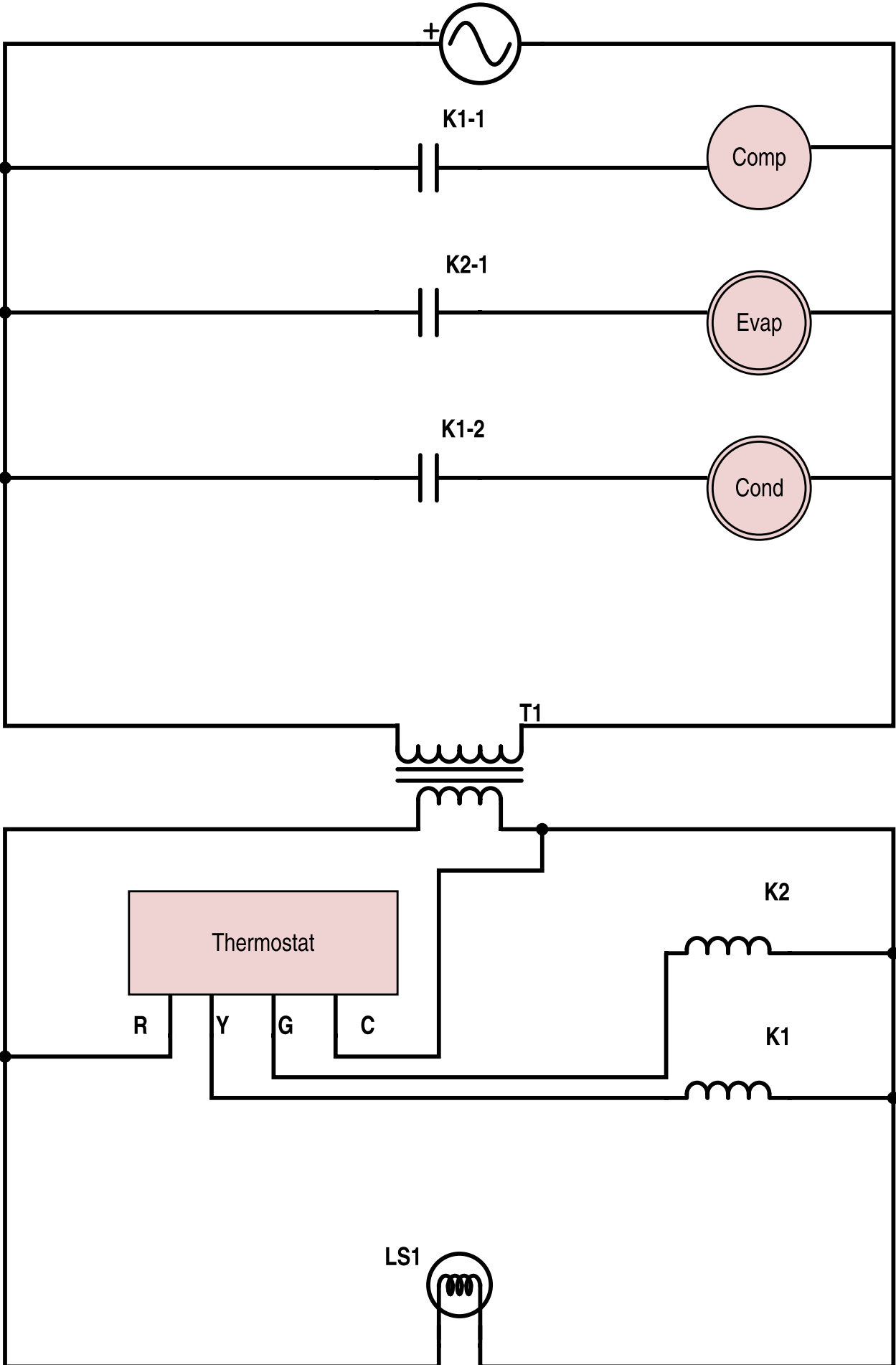




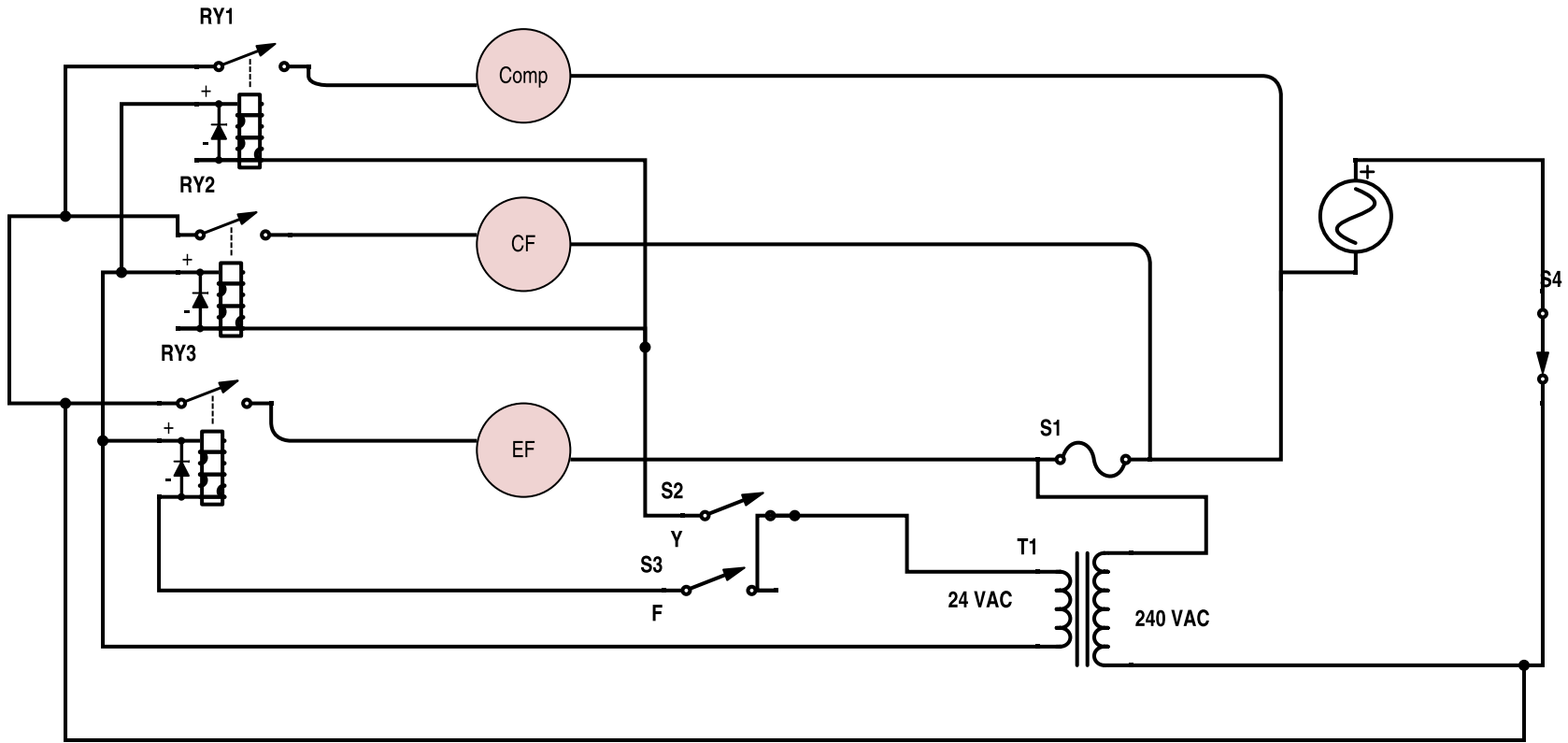




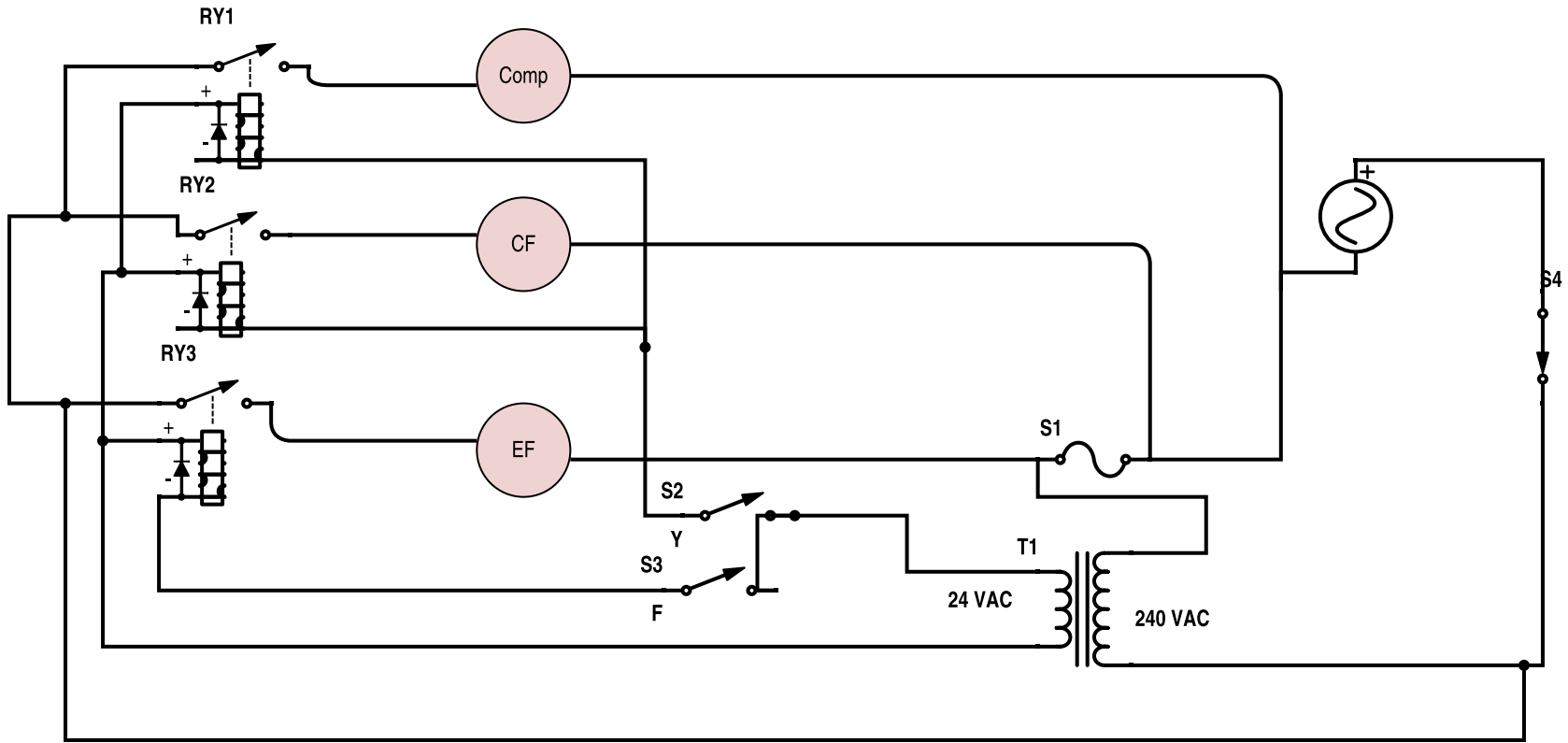


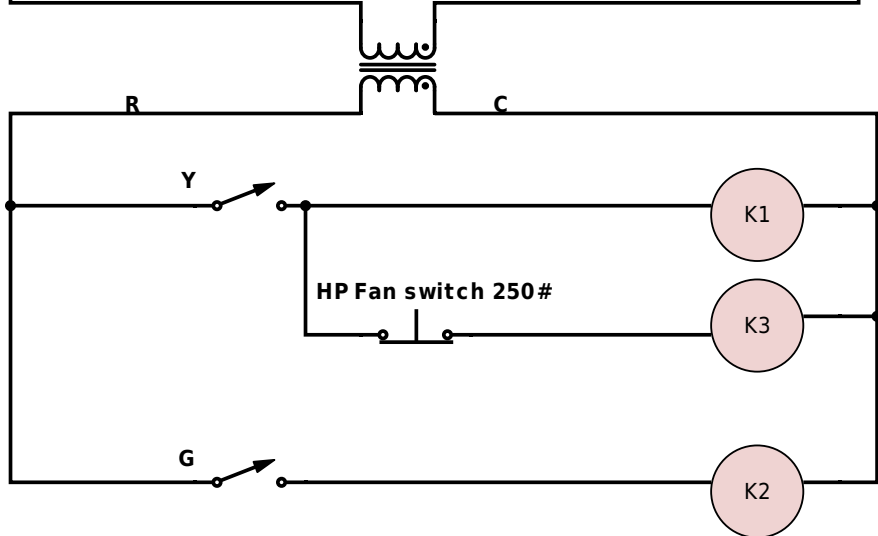
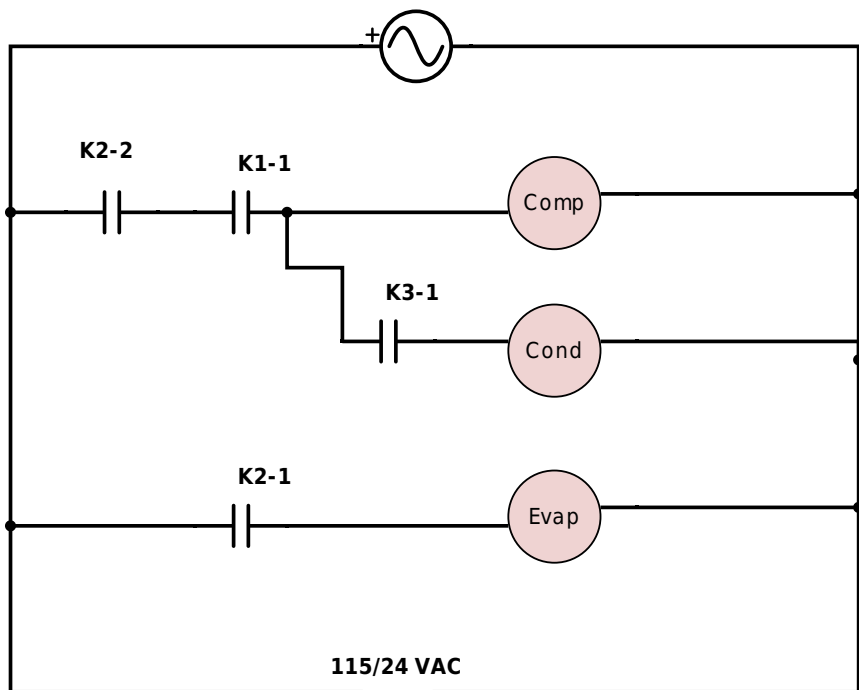


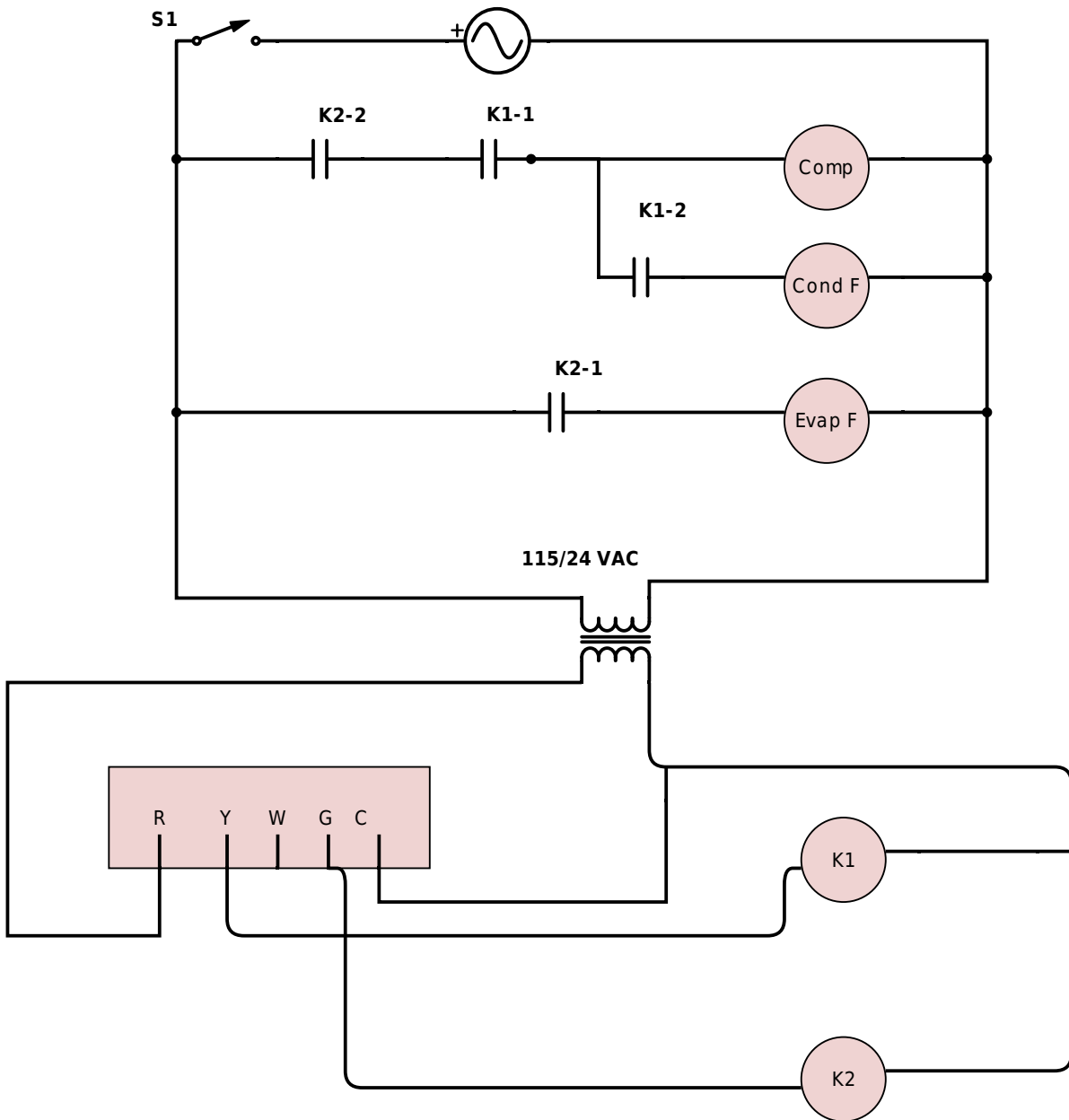
AC Unit

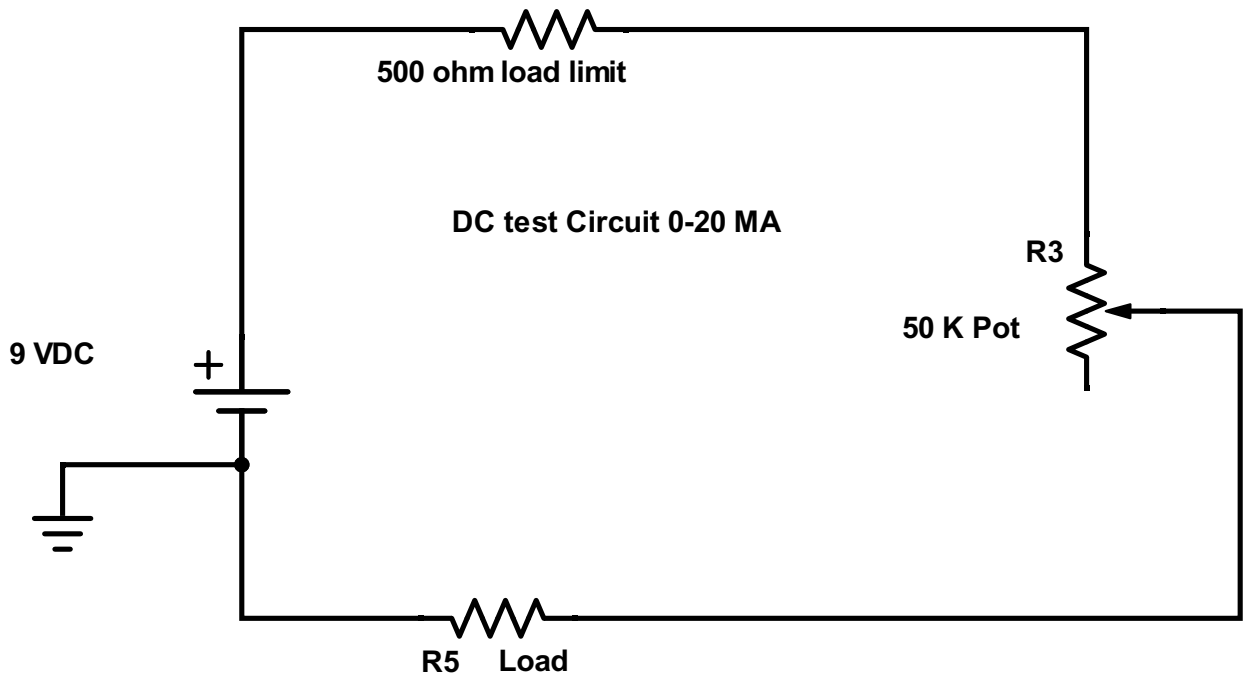
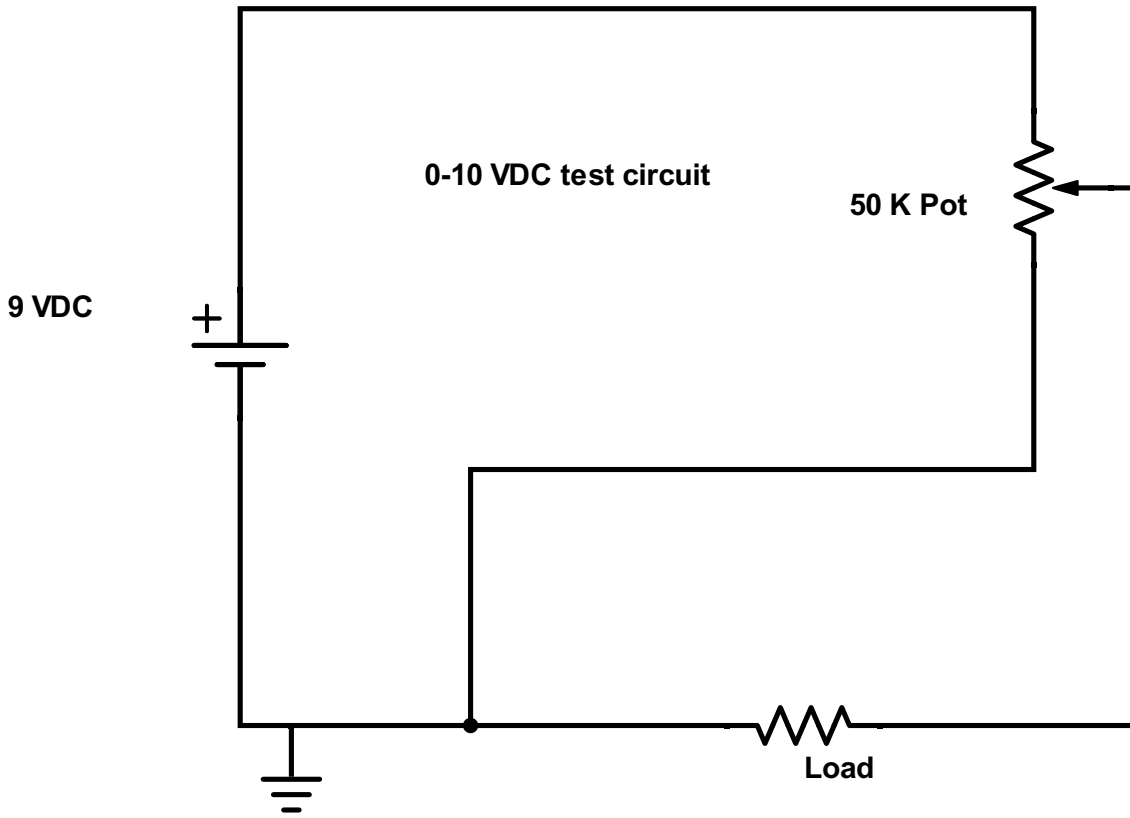


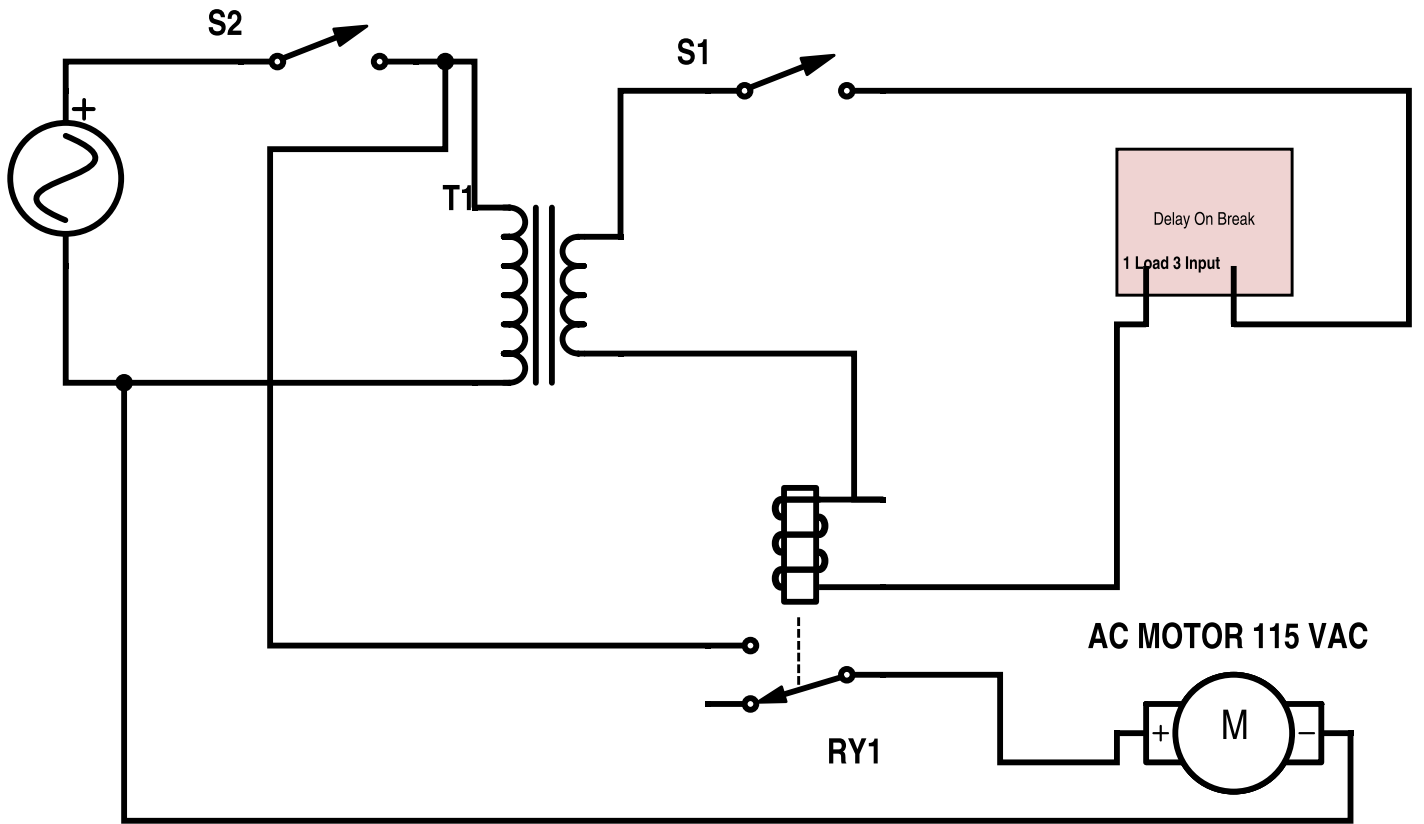
AC Unit

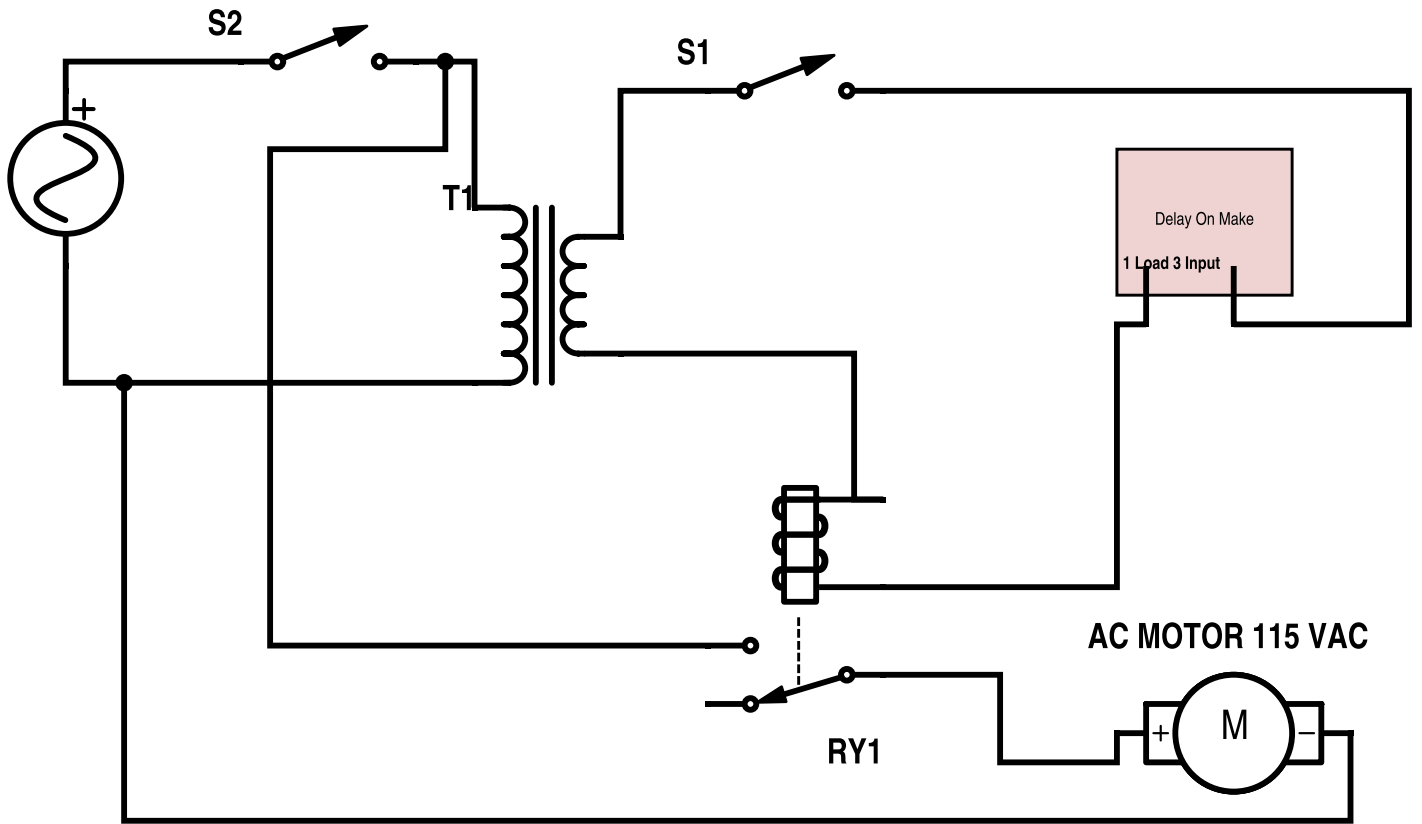


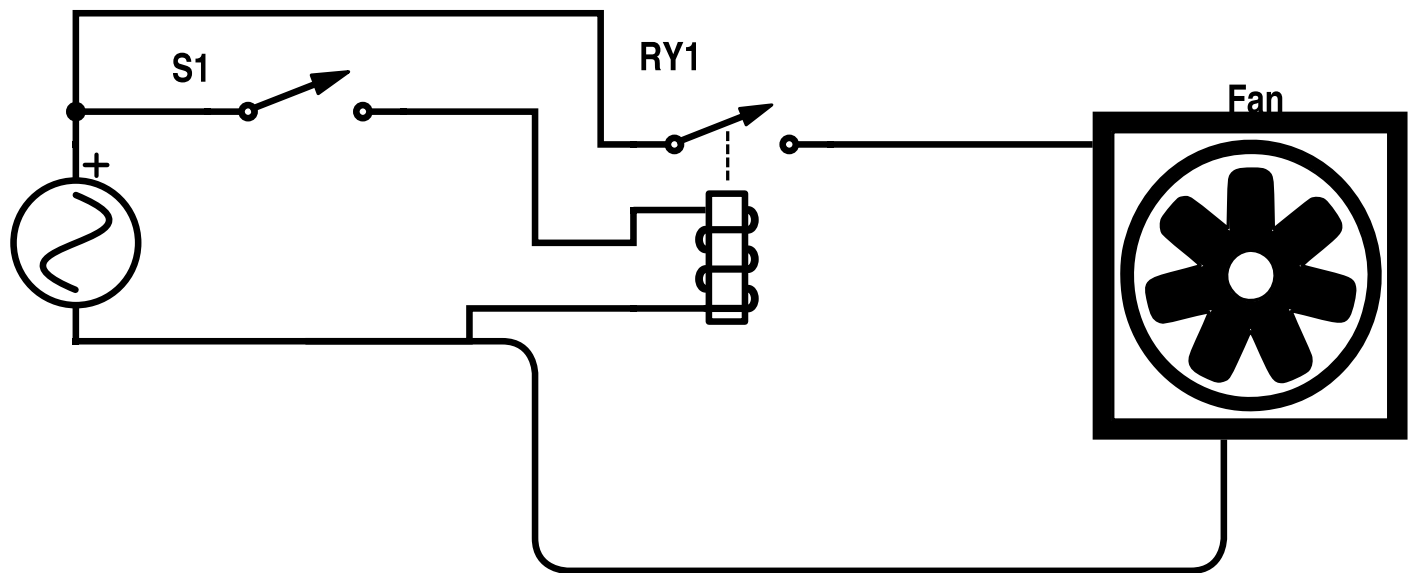


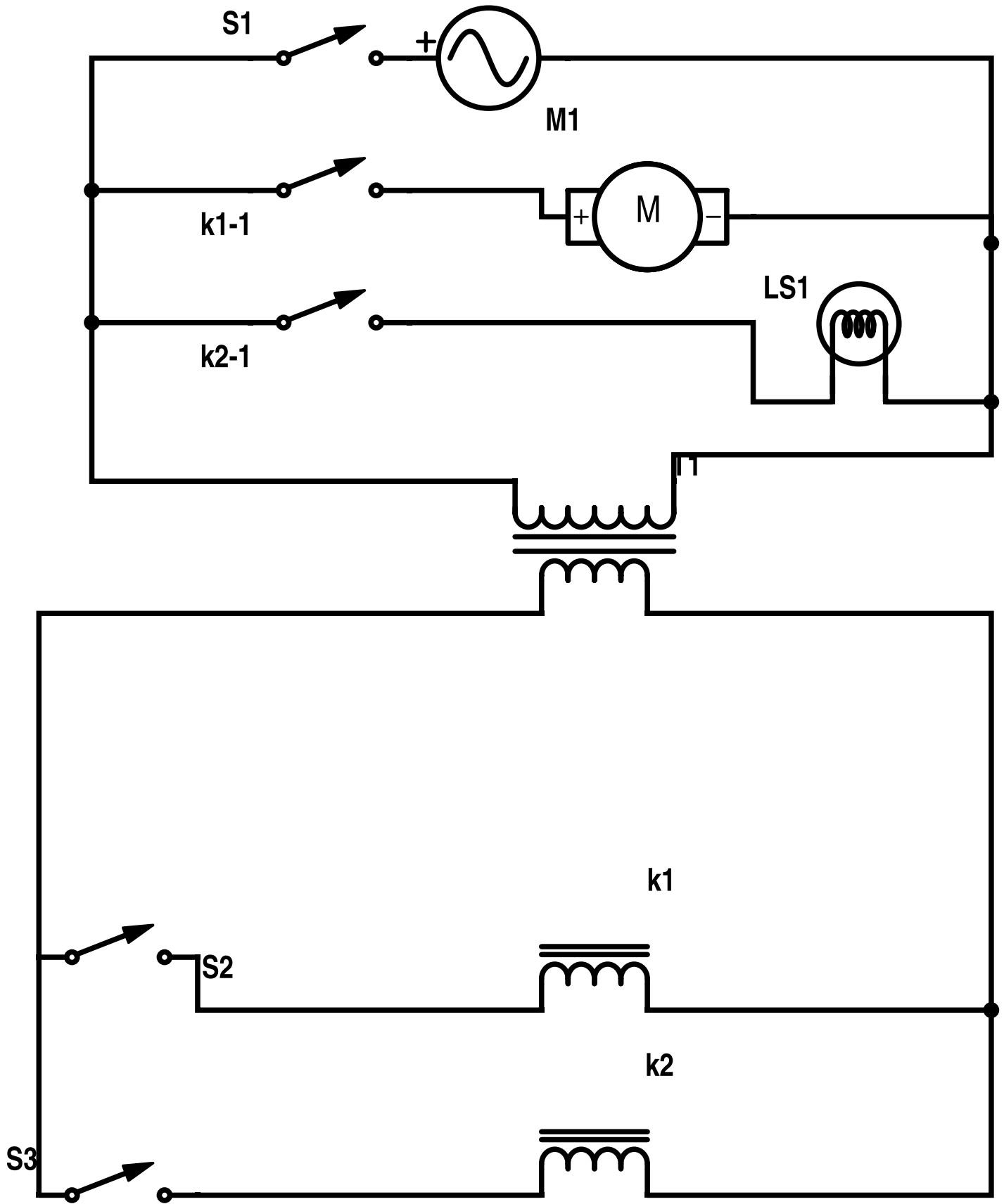


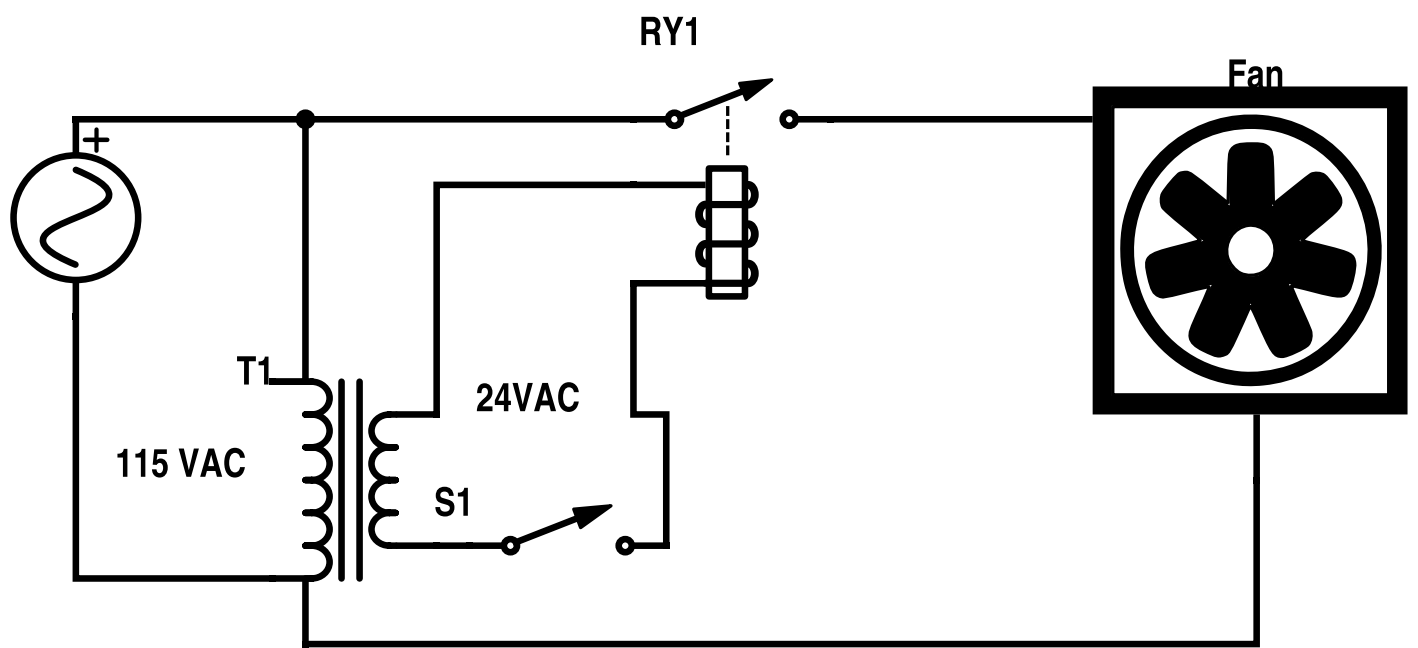


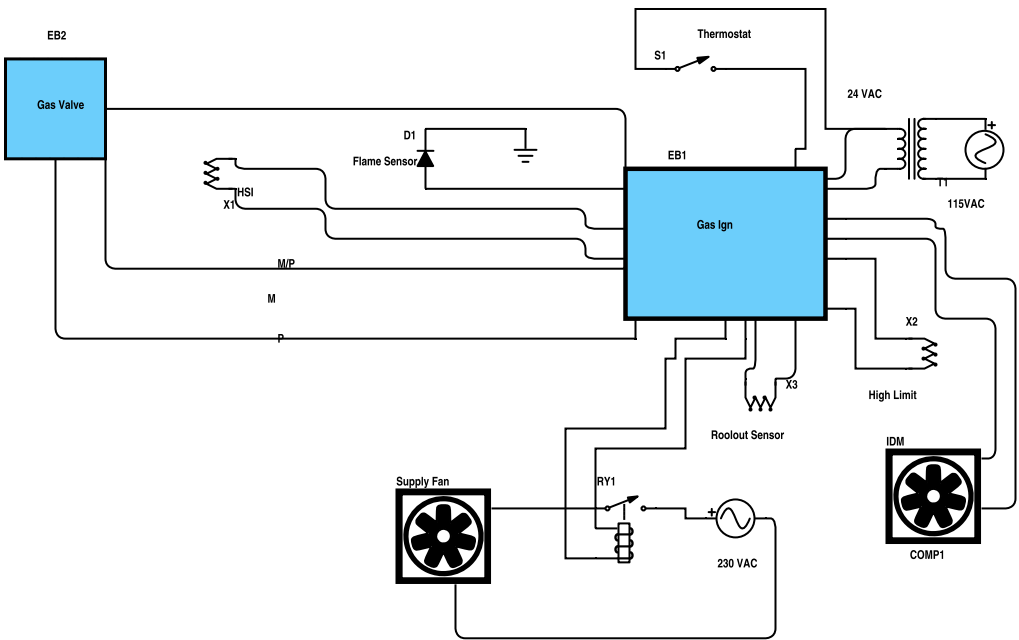








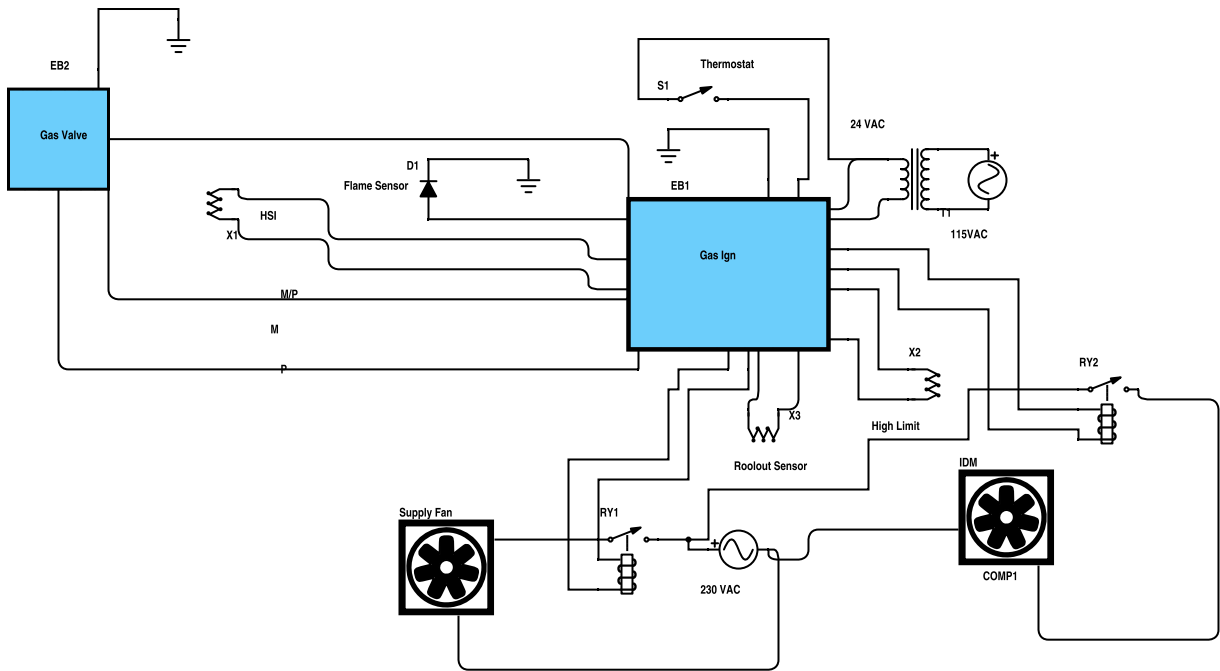




LIS

Name

HSI

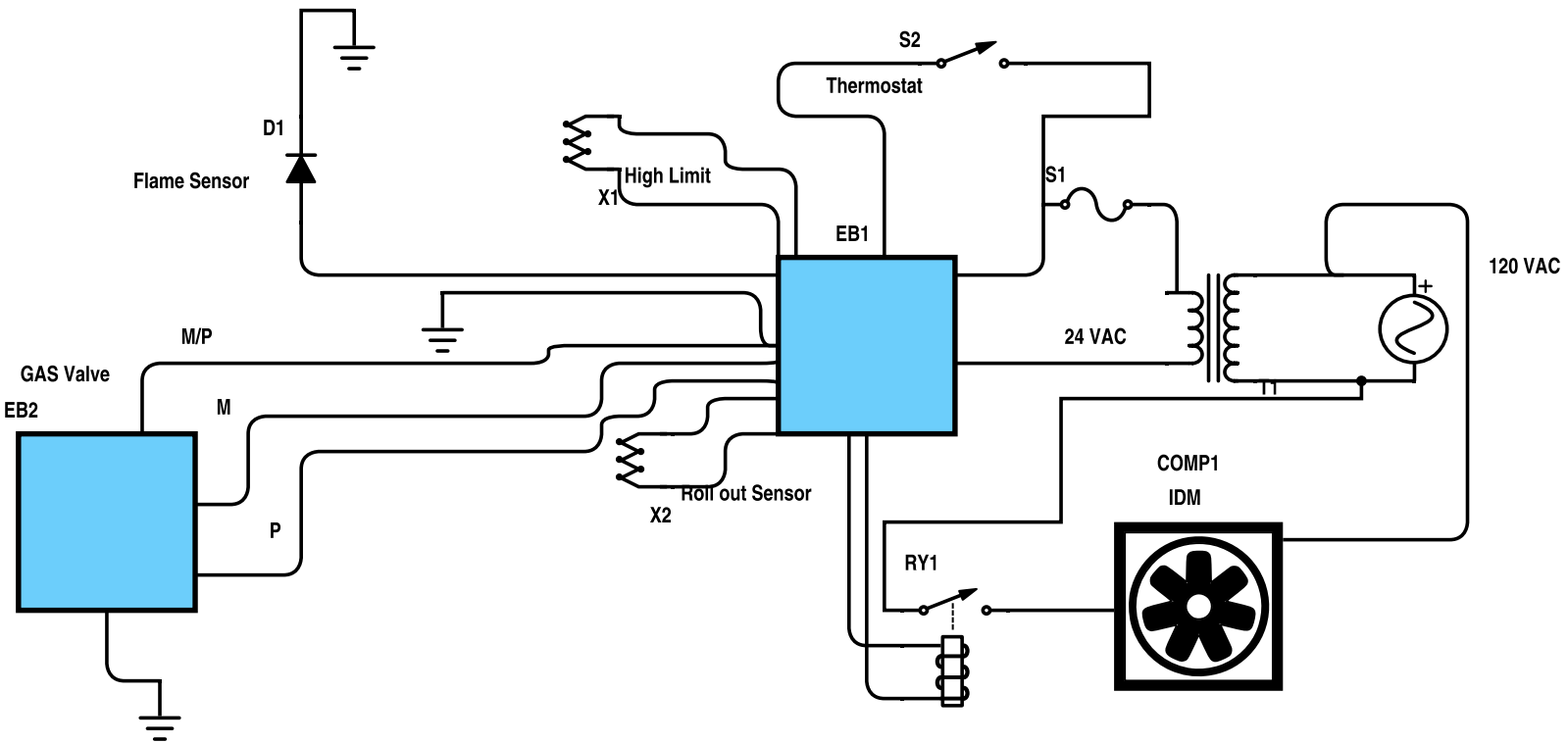


LIS

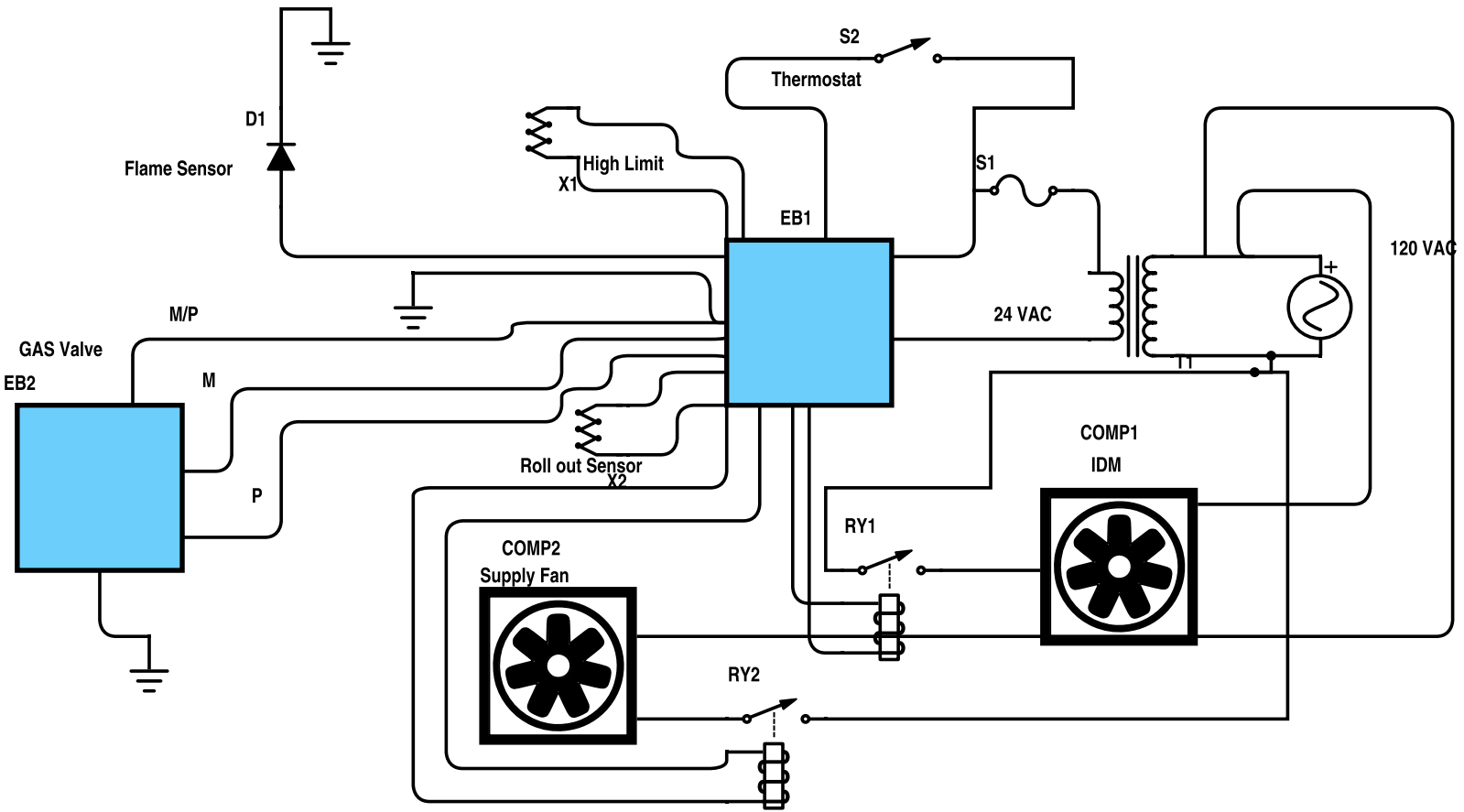
Name

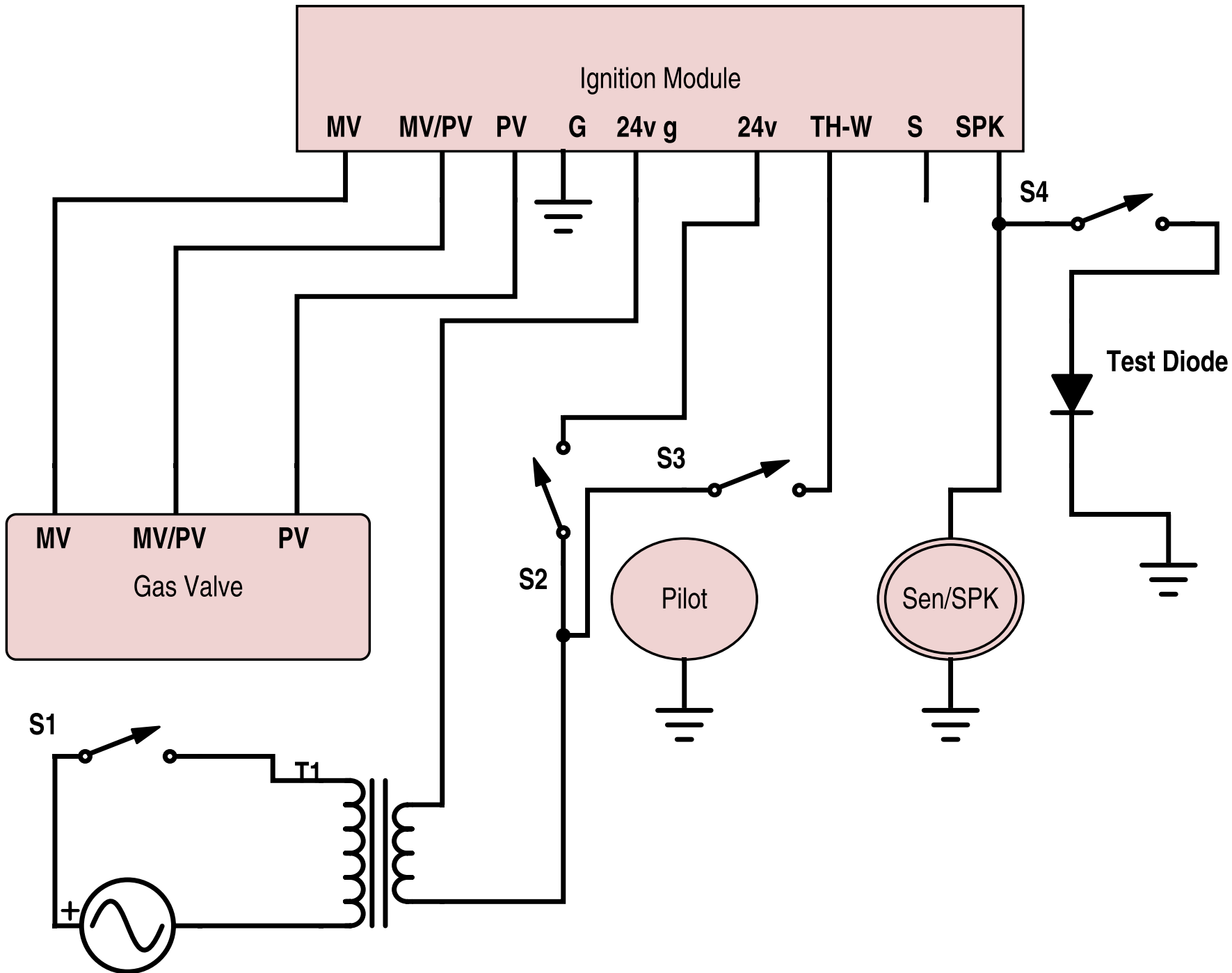
HSI

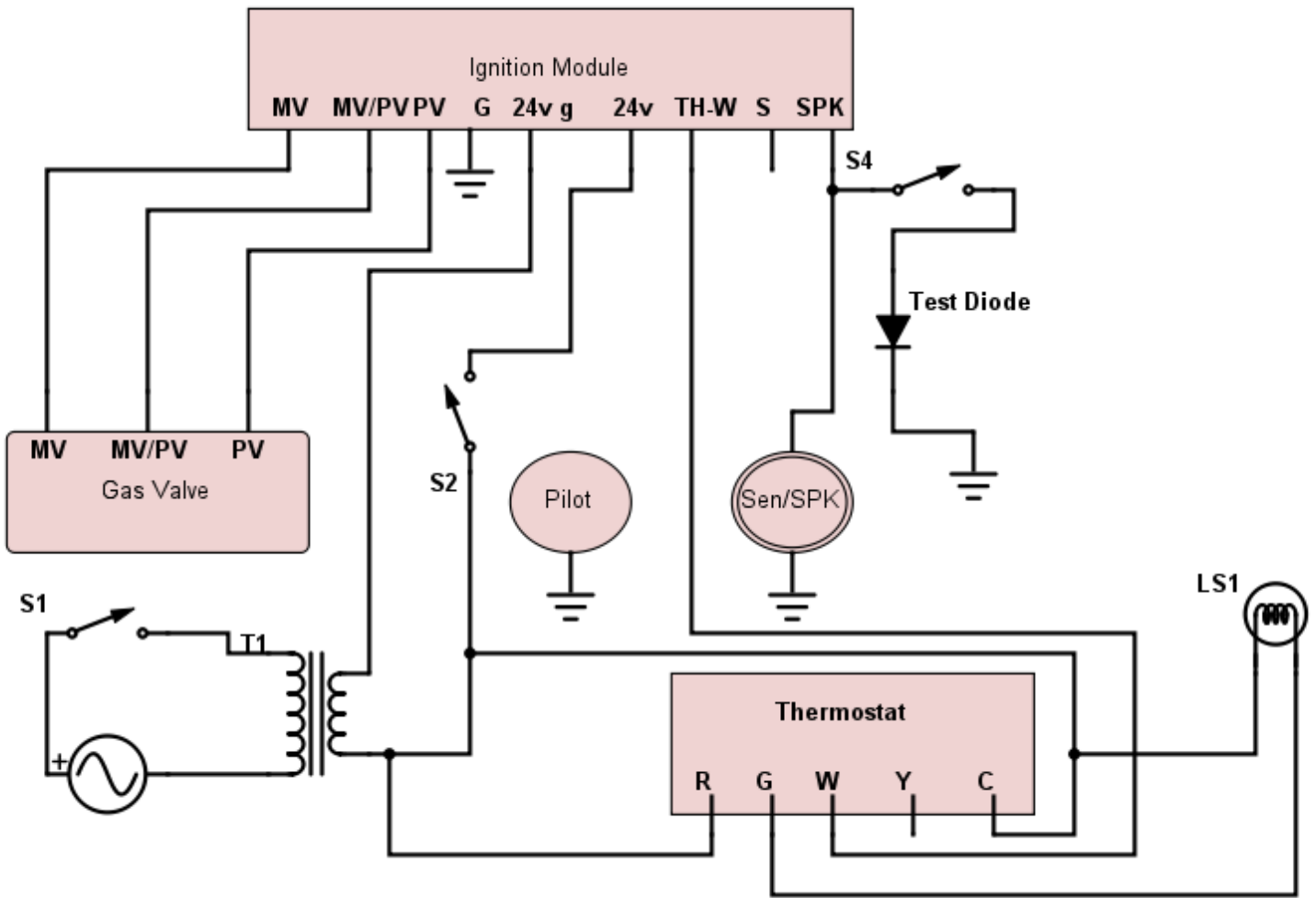
Gas Heat Microcontroller



Gas Heat Microcontroller







L1

L2

115 VAC

S1

S2

Fan 1

S3

Fan 2

115 VAC

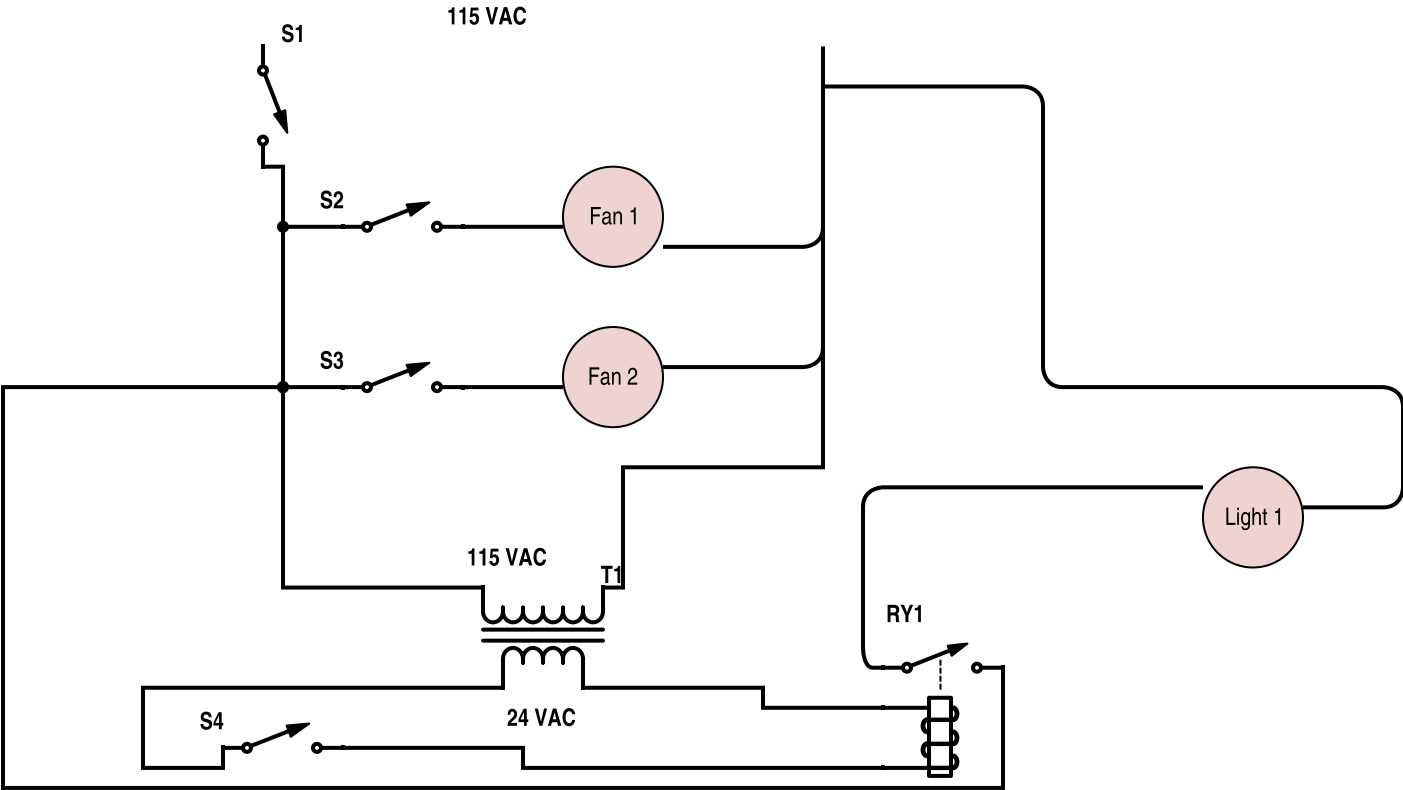
T1

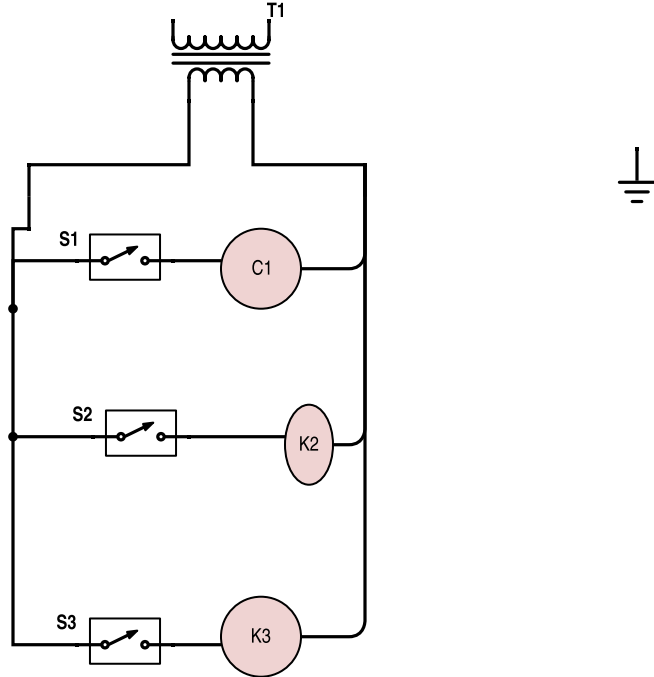
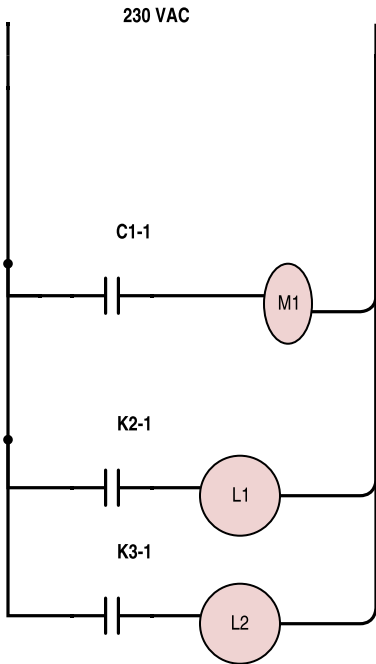
RY1

Light 1

24 VAC

S4





Legend
M1 ODF

